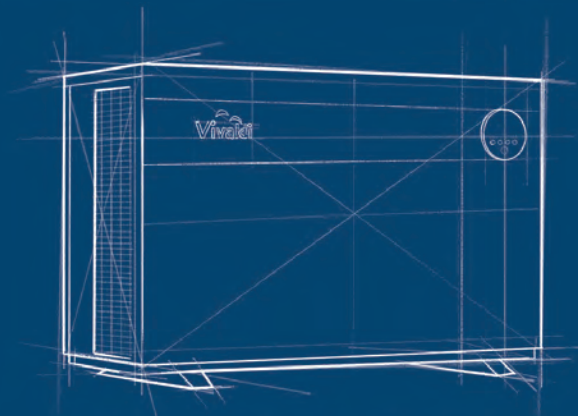


Vivaldi

Pompes à chaleur piscine



Heating without false notes

2024

HEATING WITHOUT FALSE NOTES





ÉDITO

Dear customers and partners of Vivaldi PAC,

For 20 years now, Vivaldi Pac has been designing and marketing a complete range of heat pumps for private and public swimming pools in Europe. The products manufactured by our company are exclusively distributed through a network of professional distributors, pool manufacturers and installers.

The year 2023 has been a remarkable period for our company, marked by memorable moments and significant progress. By joining the family group specializing in energy, Expaneo, we have strategically moved our stock to Bordeaux, thus strengthening our positioning at the heart of a larger, future-oriented dynamic.

Integration into this energy family has been synonymous with reinforced synergies and the sharing of know-how, reinforcing our commitment to excellence and innovation. With this in mind, we are proud to announce the creation of a showroom and an after-sales service workshop in Bordeaux with a brand new test bench, offering our customers a dedicated space to discover our heat pumps in optimal conditions. and benefit from a responsive and professional after-sales service.

Participation in numerous trade fairs in France and Europe has been another dynamic aspect of our year. These events have been valuable opportunities to interact with our customers, partners and industry experts. The engaging discussions and have enriched nourished our understanding of market needs and stimulated our ongoing quest for improvement.

In summary, 2023 has been a key chapter in our history, marked by strategic relocations, significant investments in our facilities, and an active presence on the international scene. We would like to express our gratitude to you, our loyal customers, for your continued trust. We are approaching the year 2024 with enthusiasm, determination and an unwavering commitment to innovation and quality that characterize Vivaldi PAC.



HEAT PUMP WITH CONFIDENCE

COMPLETE RANGE

Allows you to cover all pool sizes

EXCLUSIVE SALE TO PROFESSIONALS

No online sales and no pricing available for individuals

AVAILABLE STOCK

If not, we deliver the superior model at the same price

EFFICIENT LOGISTICS

Departure possible the same day

TECHNICAL SERVICE AVAILABLE

Effective after-sales service follow-up and management software

SALES SUPPORT

Showroom, training and commercial support available on request

PERFORMANCE CONTROL

Test bench available for performance control

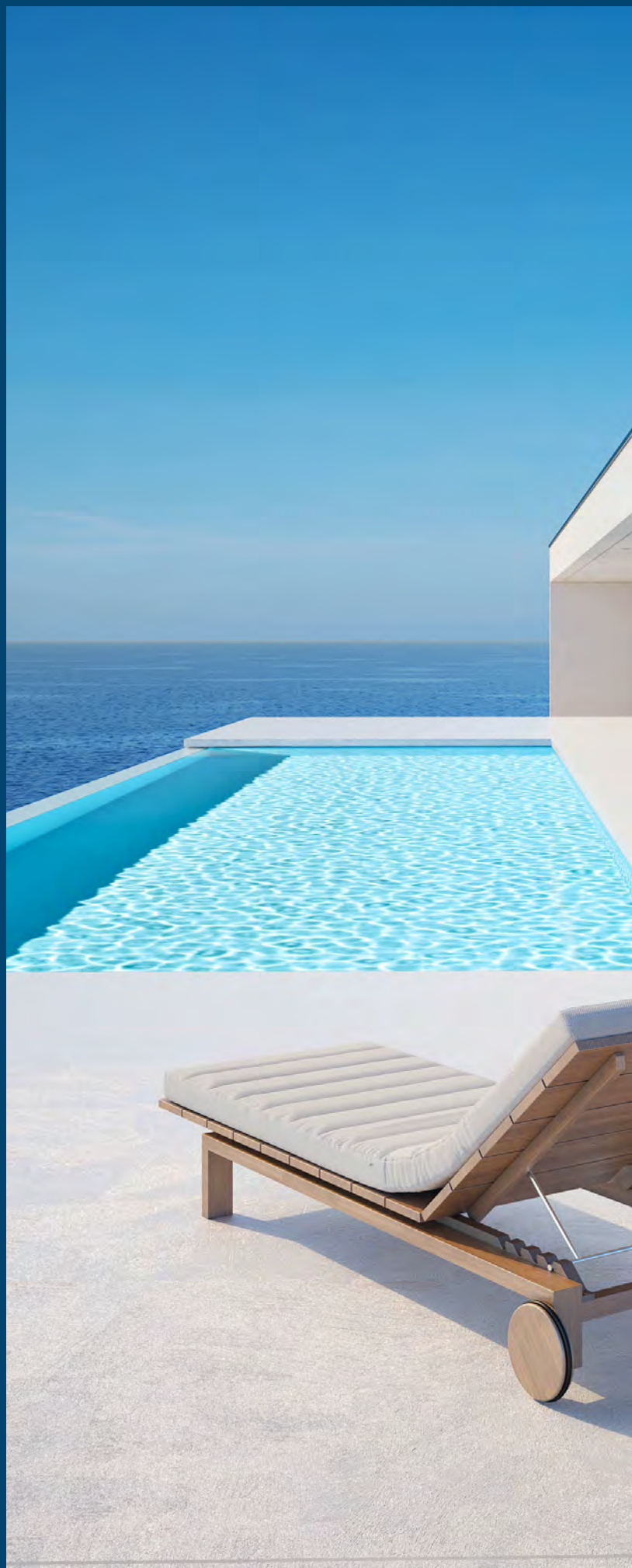
AFTER-SALES SERVICE

15 years of spare parts available



VIVALDI PAC

3 rue Jules Verne
33185 Le Haillan-France
commercial@vivaldipac.com
+33 (0) 5 57 22 56 16



SUMMARY

06 | CHOOSE YOUR HEAT PUMP

08 | SELECTION TABLE VIVALDI RANGE

10 | PICOLO
2 models for pools up to 25 m³. Bring ultimate comfort to your above-ground pool, spa or small pool

12 | HARMONIE HPX
4 models for pools from 30 to 70 m³. Simplicity combined with the best value for money on the market

14 | CONCERTO OPERA
9 models for pools from 10 to 130 m³. All the desired technology at the best price

16 | CRESCENDO INVERTER
8 models for pools from 15 to 150 m³. All of Vivaldi's expertise for operation throughout the 4 seasons

18 | SYMPHONIE FULL INVERTER
8 models for pools from 20 to 120 m³. Side blowing for power and silence

20 | TENOR TX INVERTER
4 models for collective pool usage from 250 to 700 m³. The power and efficiency of the inverter for communities

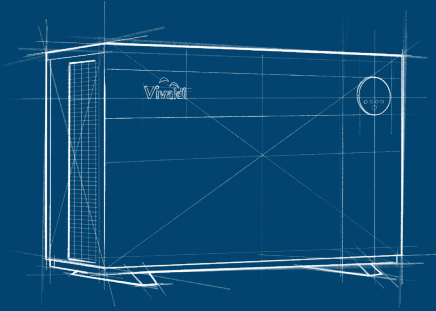


CHOOSE YOUR HEAT PUMP

Choosing the ideal heat pump can sometimes be complex, given the many options available on the market.

At Vivaldi PAC, we understand the importance of making the right choice to maximize energy efficiency and comfort. That is why we encourage you to consult us or our experienced professionals to guide you through the process.

With our expertise, you can be assured of choosing a solution perfectly suited to your specific needs. Our complete range of heat pumps is designed to suit all pool sizes and various outdoor spaces, ensuring optimal performance in any environment.



THE SUITABLE SOLUTION TO YOUR NEEDS

EXPOSURE

The exposure of a pool is an important factor when choosing the heat pump. A pool in full sun requires a smaller heat pump whereas if it has a constantly shaded part, a more powerful machine will be needed.



COVERAGE

Using of a tarpaulin or a roller shutter greatly reduces heat loss when the pool is not in use. Its use allows you to install smaller heat pumps and reduces the phenomenon of evaporation thereby reducing water and electricity consumption.



WINDY AREAS

Pools in windy or highly windy areas experience significant heat losses throughout the day. This type of installation requires a more powerful heat pump.



THE RIGHT QUESTIONS TO ASK TO CHOOSE WELL

What volume of water needs to be heated?

Determine the pool's water volume to choose the heat pump suitable for the heating need.

What is the desired water temperature?

Identify the ideal water temperature for pool occupants to select a heat pump that meets comfort expectations.

What type of swimming pool should be heated?

Choose the heat pump model based on the type of pool, whether it is an above-ground, inground or overflow pool.

What is the pool's location and in which area?

Consider the pool's location and installation region to select a heat pump that will work efficiently in a specific climate.

How long do you want to heat for?

Determine the usage season during which heating will be necessary in order to choose a heat pump that maintains excellent performance throughout the year.



POSITIONING

The choice of the location of your heat pump in your garden is also important. The blowing direction of the chosen pump model must be considered in order to have sufficient clearance to maximize performance and avoid sending a flow of cold air towards busy spaces. In addition, if the pump is installed in a visible location, aesthetics will also be a determining factor.



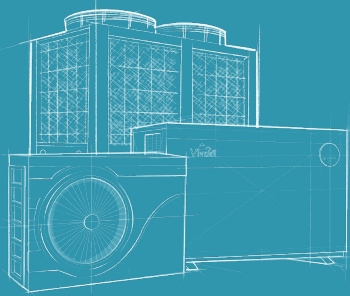
CLIMATE AND LOCATION

The average climate of the swimming pool installation location has a significant impact on the choice of model and power of the heat pump. Altitude also has a strong impact on the power needed to maintain a comfortable water temperature. The colder the climate and the higher the altitude, the more powerful the machine needs to be.

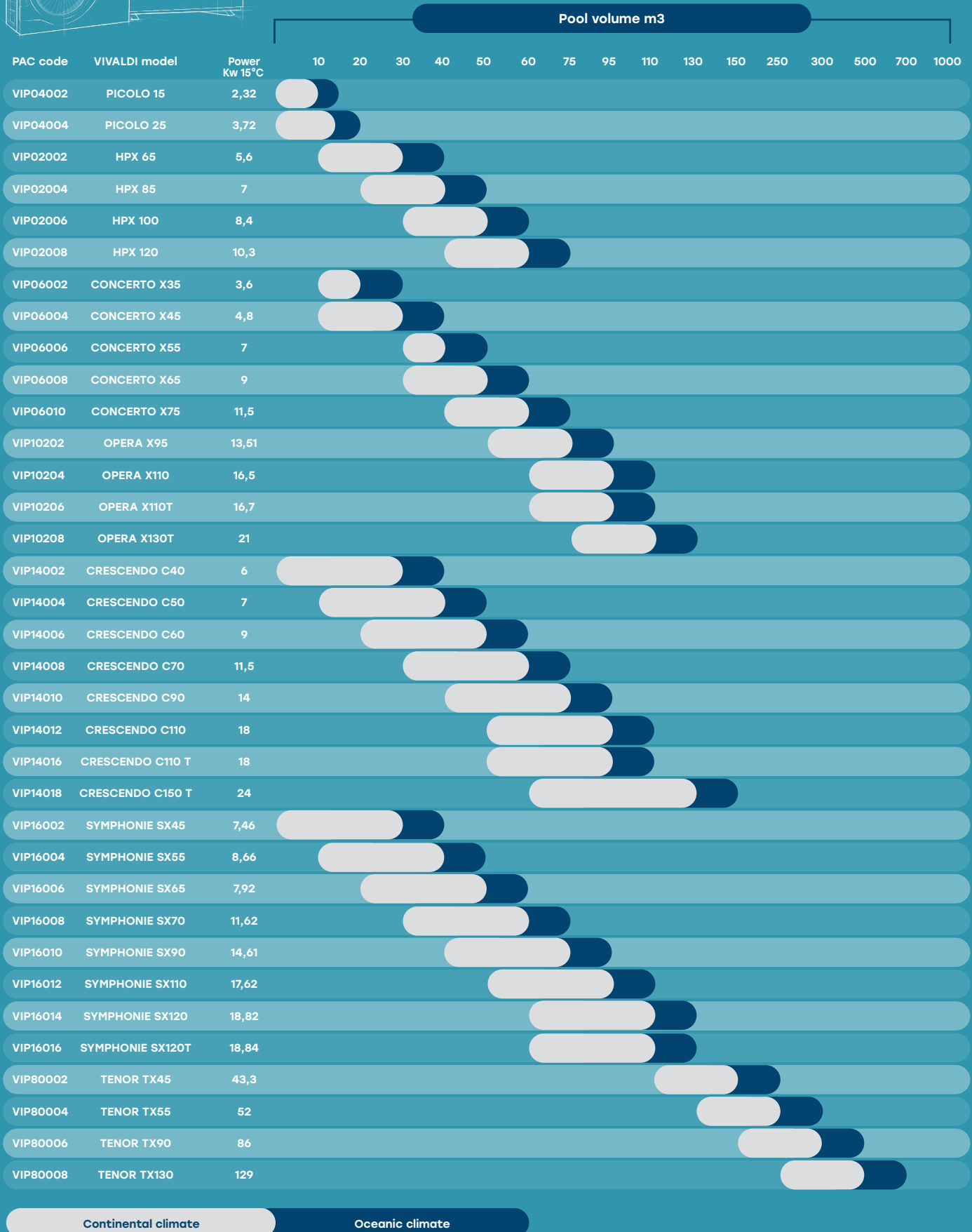


PERIOD OF USE

The desired period of use of your swimming pool greatly influences the choice of your heat pump. The longer the usage period, the more power the machine needs to have. In the case of all-season use, you must choose a machine that operates at negative outdoor temperatures.



PAC SELECTION TABLE VIVALDI RANGE



Selection table given for information purposes only and Vivaldi PAC cannot be held liable. Please contact us if a thermal study is necessary. This table is only valid when using a cover or shutter.



VIVALDI RANGE	PICOLO	HARMONIE HPX	CONCERTO OPERA	CRESCENDO INVERTER	SYMPHONIE FULL INVERTER	TENOR TX INVERTER
Energy performance	+	++	+++	++++	++++	+++
Application	Small pool Above-ground pool	Private pool	Private pool	Private pool Collective pool	Private pool	Collective pool
Blowing type	Horizontal	Horizontal	Horizontal	Horizontal	Lateral	Vertical
Warranty	2	2	3	3/5	3	2/4
Compressor Warranty	2	5	5	5	5	2/4
Exchanger Warranty	Lifetime	Lifetime	Lifetime	Lifetime	Lifetime	2/4
Noise level	+	+	++	+++	++++	++
GaS				Eco R32		
Functioning	ON/OFF	ON/OFF	Inverter	Full Inverter	Full Inverter	Inverter
Reversible	No	Yes	Yes	Yes	Yes	Yes
Communication	No	No	Wifi	Wifi Optional	Wifi+RS Bus	RS Bus
Ease of installation	+++	+++	+++	+++	+++	+
Minimum temperature	+7°C	+7°C	-10°C	-7°C	-15°C	-15°C
Budget	€	€	€€	€€€€	€€€	€€€



PICOLO

BRING THE ULTIMATE COMFORT TO YOUR ABOVE-GROUND POOL, SPA OR SMALL POOL

2 YEAR WARRANTY

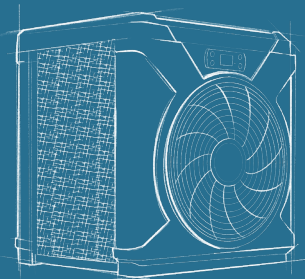
Parts and labor returned to the workshop

2 YEAR WARRANTY

Compressor

2 YEAR WARRANTY*

Exchanger



ACCESSORIES INCLUDED

2x Quick connectors for flexible hoses
DN32/38
2x Flexible hoses DN32

OPTIONAL ACCESSORIES

2x DN32 glue fittings

* excluding frost

THE + PRODUCT



SIMPLE INSTALLATION

Connection for flexible hoses with clamp and standard electrical plug



ABS LIFEPROOF BLACK

No corrosion, Antishock and UV resistant



HELIX TITANIUM EXCHANGER

High performance exchanger



INTEGRATED FLOW SENSOR

For automatic operation and integrated safety



PREMIUM COMPRESSOR

Compressors from top brands such as Toshiba/Gree/Hitachi depending on the model



FOR POOLS
UP TO 25M3

TECHNICAL BENEFITS

Discover our swimming pool heat pump for small pools, with a user-friendly LCD screen for effortless management, the use of ecological R32 gas for optimal performance and minimal footprint thanks to its compact design. Enjoy a swimming pool that is both comfortable and environmentally friendly.

PICOLO

	P15 VIPO4002	P25 VIPO4004
Pool size M3*	Up to 15m3	Up to 25m3
MEASUREMENT CONDITIONS AIR 24°C / WATER 26/28°C		
Heating capacity kW	3,20	5,23
Power consumption kW	0,56	0,83
COP	5,71	6,30
MEASUREMENT CONDITIONS AIR 15°C / WATER 26/28°C		
Heating capacity kW	2,32	3,72
Power consumption kW	0,53	0,87
COP	4,37	4,27
FURTHER INFORMATION		
Noise level at 1m dB(A)	46	48
Operating temperature °C	6 À 43	
Gas / Weight Kg	R32/0,25	R32/0,30
Recommended water flow m3/h	2	3
Hydraulic connection mm	32 ou 38	
Electrical connection	230V/1Ph/50Hz	
Max current A	4,50	7,20
Air discharge direction	Horizontal	
Dimensions (LxWxH) mm	416x387x433	
Net weight Kg	20	24

* Pool size recommended for a pool with a protective cover and favorable climate



HPX HARMONIE

THE SIMPLICITY ASSOCIATED WITH THE BEST VALUE FOR MONEY ON THE MARKET

2 YEAR WARRANTY

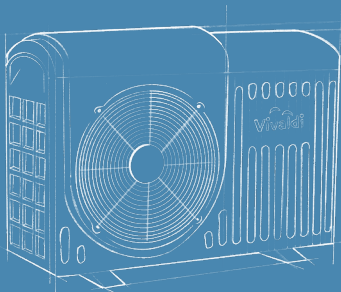
Parts and labor returned to the workshop
Optional extension

5 YEAR WARRANTY*

Compressor

2 YEAR WARRANTY*

Exchanger



ACCESSORIES INCLUDED

2x DN50 fittings
Anti-vibration supports
Winter cover

OPTIONAL ACCESSORY

Support Footbloc

* excluding frost

THE + PRODUCT



ABS LIFEPROOF BLACK

No corrosion, Antishock and UV resistant



HELIX TITANIUM EXCHANGER

High performance exchanger



INTEGRATED FLOW SENSOR

For automatic operation and integrated safety



LCD SCREEN

Complete LCD screen with error code reporting



HEATING/COOLING

Heat or cool-only operation with automatic mode



AUTO DEFROST

Automatic defrost by cycle inversion



**FOR POOLS
FROM 30 TO 70 M3**

**TECHNICAL
BENEFITS**

Our Harmonie is our simple and economical swimming pool heat pump, offering the best value for money. With its intuitive LCD screen, its use is a breeze. Thanks the environmentally friendly R32 gas and its filtration pump control, you benefit from maximum efficiency without compromise. Choose simplicity and accessibility with our heat pump model, designed to meet all your pool heating needs with ease.

**HPX
HARMONIE**

	HPX65 VIP02002	HPX85 VIP02004	HPX100 VIP02006	HPX120 VIP02008
Pool size M3*	30 - 40 m ³	40 - 50 m ³	50 - 60 m ³	60 - 70 m ³
MEASUREMENT CONDITIONS AIR 24°C / WATER 26/28°C				
Heating capacity kW	6,60	8,50	10,90	12,50
Power consumption kW	11,19	1,30	1,72	2,17
COP	5,60	6,50	6,30	5,80
MEASUREMENT CONDITIONS AIR 15°C / WATER 26/28°C				
Heating capacity kW	5,60	7	8,40	10,30
Power consumption kW	1,14	1,28	1,70	2,10
COP	4,90	5,50	5	4,90
MEASUREMENT CONDITIONS AIR 35°C / WATER 27°C				
Cooling capacity kW	3,90	4,80	6,10	6,80
Power consumption kW	1,37	1,48	1,97	2,56
EER	2,90	3,30	3,10	2,70
FURTHER INFORMATION				
Noise level at 1m dB(A)	50	50	55	55
Operating temperature °C	5 to 43			
Gas / Weight Kg	R32/0,5	R32/0,71	R32/0,75	R32/0,95
Recommended water flow m3/h	2 - 4	2 - 4	2 - 4	2 - 4
Hydraulic connection mm	50			
Electrical connection	230V/1Ph/50Hz			
Max current A	6,80	7,60	10,20	13
Air discharge direction	Horizontal			
Dimensions (LxWxH) mm	830x340x555	980x455x585	980x455x585	1055x465x650
Net weight Kg	41	51	53	60

* Pool size recommended for a pool with a protective cover and favorable climate



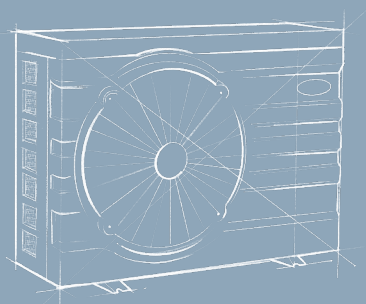
CONCERTO OPERA

ALL THE DESIRED TECHNOLOGY AT THE BEST PRICE

3 YEAR WARRANTY
Parts and labor on site

5 YEAR WARRANTY*
Compressor

LIFETIME WARRANTY*
Exchanger



ACCESSORIES INCLUDED
2x DN50 fittings
Anti-vibration supports
Winter cover
Remote screen kit

OPTIONAL ACCESSORY
Footbloc support

* excluding frost

THE + PRODUCT



DC INVERTER TECHNOLOGY
Inverter compressor with automatic frequency adjustment for precise temperature control



AQUASHIELD EXCHANGER
High performance hydrophobic aluminum exchanger



ABS LIFEPROOF BLACK
No corrosion, Antishock and UV resistant



HELIX TITANIUM EXCHANGER
High performance twisted design exchanger



NOISE LESS DESIGN
Ventilation chamber design and addition of insulating foams for increased noise reduction



WIFI CONTROL
Wifi with Smart Life application to control all home accessories



FOR POOLS FROM 10 TO 130 M³

TECHNICAL BENEFITS

The Concerto/Opéra range is among our best sellers and for good reason! Our heat pumps concentrate all our know-how, particularly with the use of our Helix titanium exchangers and premium compressors. This heat pump offers exceptional performance and incomparable durability thanks to its multipower mode which allows it to adapt in real time to heating needs. Its automatic heating/cooling mode ensures an ideal temperature all season long.

CONCERTO OPERA

	X35 VIP06002	X45 VIP06004	X55 VIP06006	X65 VIP06008	X75 VIP06010	X95 VIP10202	X110 VIP10204	X110T VIP1026	X130T VIP10208
Pool size M³*	Up to 30 m ³	20 - 40 m ³	30 - 50 m ³	40 - 60 m ³	50 - 75 m ³	75 - 95 m ³	95 - 110 m ³	95 - 110 m ³	110 - 130 m ³
MEASUREMENT CONDITIONS AIR 24°C / WATER 26/28°C									
Heating capacity kW	4,30	5,20	8,60	11	13	17,50	21	21	25,80
Consumed strength kW	0,73	0,88	1,46	1,86	2,20	2,97	3,56	3,56	4,61
COP	5,90	5,90	5,90	5,90	5,90	5,90	5,90	5,90	5,60
MEASUREMENT CONDITIONS AIR 15°C / WATER 26/28°C									
Heating capacity kW	3,60	4,80	7	9	11,50	13,51	16,50	16,70	21
Consumed strength kW	0,83	1	1,65	2,12	2,50	3,37	4,04	4,04	5,38
COP	5,20	5,20	5,20	5,20	5,20	5,20	5,20	5,20	5,20
MEASUREMENT CONDITIONS AIR 35°C / WATER 27°C									
Cooling capacity kW	3,30	4,50	5,30	6,30	8,70	9,50	10,40	10,90	13,10
Consumed strength kW	0,99	1,33	1,65	1,97	2,72	3,70	4	3,65	4,38
EER	3,90	3,50	3,20	3,20	3,20	2,60	2,60	3	3
FURTHER INFORMATION									
Noise level at 1m dB(A)	46	46	47	47	48	48	49	49	51
Operating temperature °C	-10 to 43								
Gas / Weight kg	R32/0,5	R32/0,71	R32/0,6	R32/0,8	R32/0,8	R32/1	R32/1,8	R32/1,8	R32/1,8
Min-max water flow m³/h	3-5	3,5-5	5-7	5-7	5-7	6-8	7-9	7-9	9-12
Hydraulic connection mm	50								
Electrical connection	230V/1Ph/50Hz						380V/3Ph/50Hz		
Max current A	4,60	5	8,20	10,50	13,80	18,40	23	23	25,20
Air discharge direction	Horizontal								
Dimensions (LxWxH) mm	900x340x665	900x340x665	900x340x665	1040x410x765	1040x410x765	1180x450x865	1180x450x865	1180x450x865	1180x450x865
Net weight kg	50	55	60	75	75	103	110	110	125

* Pool size recommended for a pool with a protective cover and favorable climate



CRESCENDO INVERTER

ALL THE VIVALDI KNOW-HOW FOR OPERATION DURING
ALL 4 SEASONS

3 YEAR WARRANTY

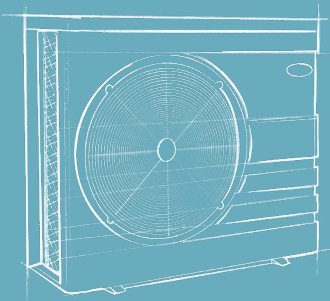
Parts and labor
Optional 5-year extension

5 YEAR WARRANTY*

Compressor

LIFETIME WARRANTY*

Exchanger



ACCESSORIES INCLUDED

2x DN50 fittings
Anti-vibration supports
Winter cover

OPTIONAL ACCESSORY

Footbloc support
Remote screen kit

* excluding frost

THE + PRODUCT



4 SEASONS BY VIVALDI

Ideal model for year-round operation



FULL INVERTER TECHNOLOGY

Compressor and inverter fan with automatic frequency adjustment for quiet operation



ABS LIFEPROOF BLACK

No corrosion, Antishock and UV resistant



HIGH-END DESIGN

Selection of the best components and optimized internal design



NO RAIN HOOD

Dome-shaped cover design to prevent water stagnation on the unit



MULTIPOWER MODE

Choice of operating mode based on needs: Boost, Intelligent, Noise reduction



FOR POOLS FROM 15 TO 150 M3

TECHNICAL BENEFITS

The Crescendo model is our premium heat pump for the most demanding users. Ideal for indoor pools all year round and places welcoming the public, such as holiday homes and vacation residences. The premium design ensures an unparalleled lifespan on the market and is perfect for sustained use even in the coldest outdoor temperatures. The simplified interface, the remote screen or wifi option, and the filtration pump control allow it to adapt to all situations.

CRESCENDO INVERTER

	C40 VIP14002	C50 VIP14004	C60 VIP14006	C70 VIP14008	C90 VIP14010	C110 VIP14012	C110T VIP14016	C150T VIP14018
Pool size M3*	15 - 40 m ²	20 - 50 m ²	30 - 60 m ²	40 - 75 m ²	50-90 m ²	60 - 110 m ²	60 - 110 m ²	75 - 150 m ²
MEASUREMENT CONDITIONS AIR 24°C / WATER 26/28°C								
Heating capacity kW	7,60	9	11,90	15,60	18,90	25,60	25,60	33,56
Power consumption kW	1,10	1	1,20	1,60	1,90	1,90	1,90	2,50
COP	8,70	9,10	10	9,60	10,20	13,40	13,40	13,40
MEASUREMENT CONDITIONS AIR 15°C / WATER 26/28°C								
Heating capacity kW	6	7	9	11,5	14	18	18	24
Power consumption kW	1,40	1,60	2,10	2,70	3,40	3,80	3,90	5,20
COP	5,90	6	5,90	6	6	7,80	7,60	7,70
MEASUREMENT CONDITIONS AIR 35°C / WATER 27°C								
Cooling capacity kW	3,30	3,80	4,90	6,30	7,70	12,10	12,10	16,40
Power consumption kW	0,95	1,11	1,40	1,79	2,21	3,28	3,28	4,33
EER	3,46	3,43	3,50	3,52	3,48	3,69	3,69	3,79
FURTHER INFORMATION								
Noise level at 1m dB(A)	40,80	40,60	42,90	45,20	45,30	43,50	43,50	42,60
Operating temperature °C	-7/43							
Gas / Weight Kg	R32/0,55	R32/0,6	R32/0,9	R32/1,0	R32/1,1	R32/2	R32/2	R32/2,7
Mini-max water flow m3/h	2-4	3-4	4-6	6-8	8-10	10-12	10-12	12-18
Hydraulic connection mm	50							
Electrical connection	230V/1Ph/50Hz					380V/3Ph/50Hz		
Max current A	6	7	8,70	11,70	15	16,50	5,60	7,40
Air discharge direction	Horizontal							
Dimensions (LxWxH) mm	872x349x654	872x349x654	872x349x654	872x349x654	962x349x654	1092x420x958	1092x420x958	1092x420x958
Net weight Kg	46	47	49	60	68	90	93	120

* Pool size recommended for a pool with a protective cover and favorable climate



3 YEAR WARRANTY

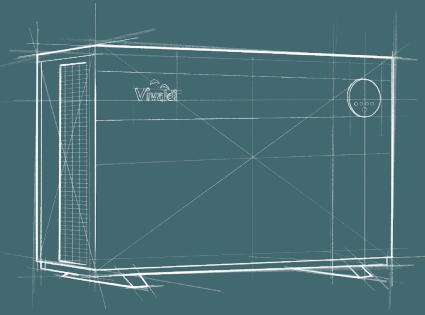
Parts and labor
Optional 5-year extension

5 YEAR WARRANTY*

Compressor

LIFETIME WARRANTY*

Exchanger



ACCESSORIES INCLUDED

2x DN50 fittings
Anti-vibration supports
Winter cover

OPTIONAL ACCESSORY

Footbloc support

* excluding frost

SYMPHONIE FULL INVERTER

LATERAL BLOWING FOR POWER AND SILENCE

THE + PRODUCT



FULL INVERTER TECHNOLOGY

Compressor and inverter fan with automatic frequency adjustment for quiet operation



SHADOW DESIGN

Black design for discreet integration into your environment



SIDE POWER

Patented lateral blowing for maximum performance and minimum noise level



HIGH-END DESIGN

Selection of the best components and optimized internal design



WIFI CONTROL

Wifi with Smart Life application to control all home accessories



4 SEASONS BY VIVALDI

Ideal model for operation during all 4 seasons



**FOR POOLS
FROM 20 TO 120 M3**

**TECHNICAL
BENEFITS**

Our Symphonie brings together all the best technologies of our heat pumps now combined in a patented lateral blowing design. Ideal for small spaces where the heat pump is visible to users. This design, along with the use of high-end components such as our Mitsubishi compressor and the Multipower mode intelligently adjusting the delivered power, drastically reduces the noise level and ensures unparalleled user comfort.

**SYMPHONIE
FULL INVERTER**

SX45
VIP16002

SX55
VIP16004

SX65
VIP16006

SX70
VIP16008

SX90
VIP16010

SX110
VIP16012

SX120
VIP16014

SX120T
VIP16016

Pool size M3* 20 - 45 m³ 30 - 55 m³ 35 - 65 m³ 40 - 70 m³ 50 - 90 m³ 55 - 110 m³ 65 - 120 m³ 65 - 120 m³

MEASUREMENT CONDITIONS AIR 24°C / WATER 26/28°C

Heating capacity kW 8,55 10,20 11,55 13,46 18,40 21,62 24,24 24,26

Power consumption kW 1,39 1,67 1,89 1,38 3 3,53 2,48 2,48

COP 9,84 9,79 9,78 9,84 9,78 9,79 9,79 9,79

MEASUREMENT CONDITIONS AIR 15°C / WATER 26/28°C

Heating capacity kW 7,46 8,66 9,72 11,62 14,61 17,62 18,82 18,84

Power consumption kW 1,40 1,59 1,89 2,13 2,69 3,28 3,34 3,34

COP 8,53 8,70 8,22 8,72 8,70 8,59 9,01 9,02

MEASUREMENT CONDITIONS AIR 35°C / WATER 27°C

Cooling capacity kW 4,10 4,90 5,54 6,46 8,83 10,38 11,64 11,81

Power consumption kW 2,86 3,44 3,89 4,53 6,18 7,27 5,11 5,11

EER 2,76 2,74 2,74 2,76 2,74 2,74 2,74 2,74

FURTHER INFORMATION

Noise level at 1m dB(A) 35 36 38 38,5 40 40,5 41 41

Operating temperature °C -15/43

Gas / Weight Kg R32/0,5 R32/0,6 R32/0,7 R32/0,8 R32/0,105 R32/1,32 R32/1,36 R32/1,36

Recommended water flow m3/h 4,10 5 5,70 6,60 9,20 10,90 12,20 12,20

Hydraulic connection mm 50

Electrical connection 230V/1Ph/50Hz | 380V/3Ph/50Hz

Max current A 7,96 10,50 12,12 14,51 17,59 19,51 20,61 12,30

Air discharge direction Lateral | Double side fan

Dimensions (LxWxH) mm 1000x450x660 1000x450x660 1000x450x660 1055x490x750 1160x530x800 1030x550x1200 1030x550x1200 1030x550x1200

Net weight Kg 65 69 75 79 106 122 125 125

* Pool size recommended for a pool with a protective cover and favorable climate



TENOR TX INVERTER

THE POWER AND EFFICIENCY OF THE INVERTER FOR COMMUNITIES

2 YEAR WARRANTY
Parts and labor on site

2 YEAR WARRANTY*
Compressor

2 YEAR WARRANTY*
Exchanger

THE + PRODUCT



INVERTER TECHNOLOGY

Inverter compressor with automatic frequency adjustment for maximum savings



FULL STAINLESS STEEL

Stainless steel body ideal for increased durability



POWERFUL COMPRESSOR

Powerful DC Twin and Scroll compressor



GAS R32

Use of ecological gas R32



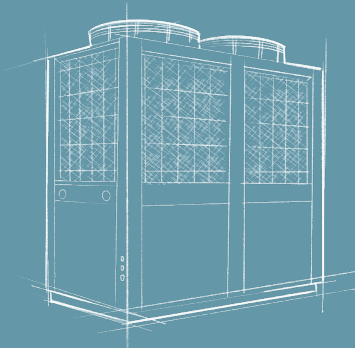
COMMUNICATION

Heat pump with RS485 connection for remote control



4 SEASONS BY VIVALDI

Ideal model for operation during all 4 seasons



OPTION

Black galvanized steel variant
Complete range of supports

* excluding frost



FOR POOLS FROM 250 TO 720 M3

TECHNICAL BENEFITS

The Tenor TX is our high-end heat pump for very large pools. Equipped with Inverter technology and a stainless steel AquaShield exchanger, it offers precise temperature regulation and exceptional durability. With its LCD screen, Multipower mode and Intelligent Auto Defrost, it ensures optimal comfort all year round. Its robust stainless steel design (galvanized steel optional), powerful compressor and use of R32 gas make it an ecological and efficient choice. Enjoy the four seasons by Vivaldi in your collective swimming pool with the Tenor pump.

TENOR TX INVERTER

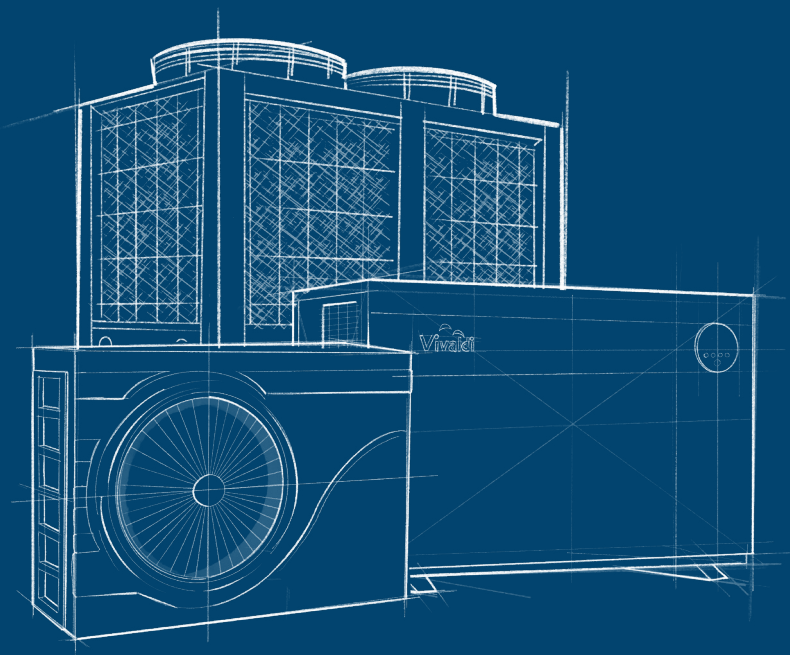
	TX45 VIP80202	TX55 VIP80204	TX90 VIP80206	TX130 VIP80208
Pool size M3*	250 m ³	300 m ³	500 m ³	700 m ³
MEASUREMENT CONDITIONS AIR 24°C / WATER 26/28°C				
Heating capacity kW	43,30	52	86	129
Power consumption kW	7,47	8,97	14,83	22,24
COP	5,80	5,80	5,80	5,80
MEASUREMENT CONDITIONS AIR 15°C / WATER 26/28°C				
Heating capacity kW	43,30	52	86	129
Power consumption kW	8,93	10,72	17,73	26,60
COP	4,85	4,85	4,85	4,85
MEASUREMENT CONDITIONS AIR 35°C / WATER 27°C				
Cooling capacity kW	20	24	40	60
Power consumption kW	7,40	8,90	14,80	22,20
EER	2,70	2,70	2,70	2,70
FURTHER INFORMATION				
Noise level at 1m dB(A)	60	62	65	65
Operating temperature °C	-15/43			
Gas / Weight Kg	R32/7	R32/7	R32/12	R32/16,5
Min-max water flow m3/h	7,65 - 19,20	9,30 - 23,20	19,30 - 48,20	19,30 - 48,20
Hydraulic connection mm	50			
Electrical connection	380V/3Ph/50Hz			
Max current A	18,67	22,43	37,09	55,64
Air discharge direction	Vertical			
Dimensions (LxWxH) mm	1000X1000X1405		1760X880X1835	2036X1103X2020
Net weight Kg	260	280	730	760

* Pool size recommended for a pool with a protective cover and favorable climate



Vivaldi
Pompes à chaleur piscine

HEATING
WITHOUT FALSE NOTES



Vivaldi
Pompes à chaleur piscine

3 rue Jules Verne
33185 Le Haillan-France
commercial@vivaldipac.com
+33 (0) 5 57 22 56 16

www.vivaldipac.com